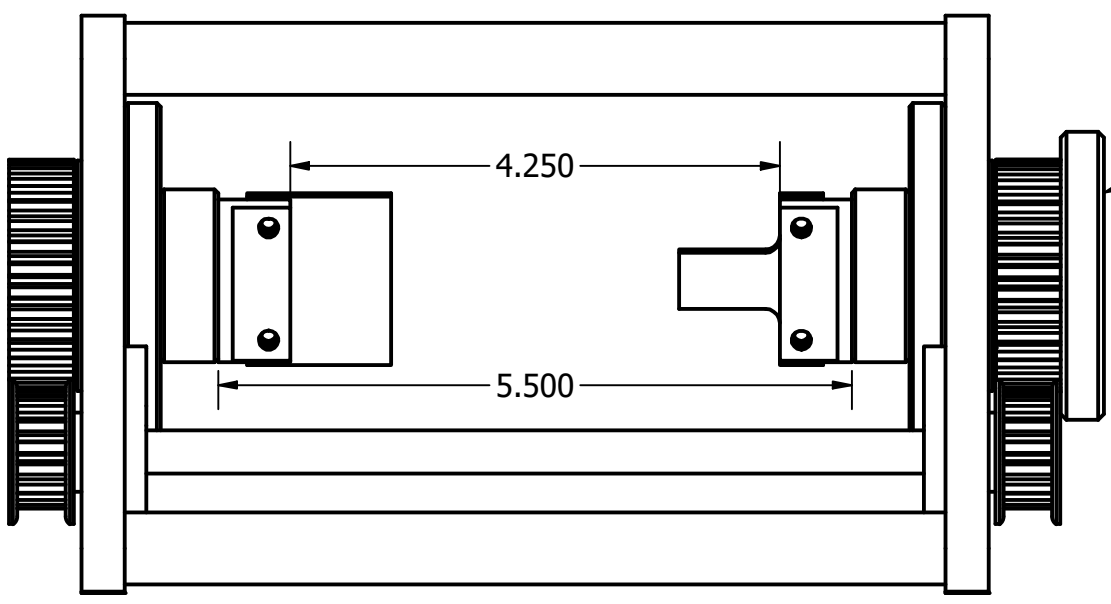


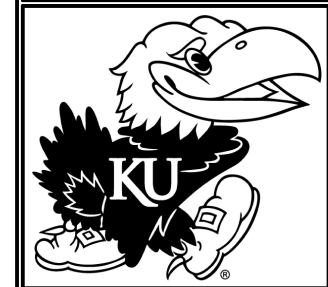
Timing pulleys are connected with 110xL037 timing belt on each end

Hand wheels can be mounted on one or both ends



Drawn By:
Scott Voigt

Date:
7/25/2023



University of Kansas
Physics Machine Shop

File Name:
Cable Rotator

